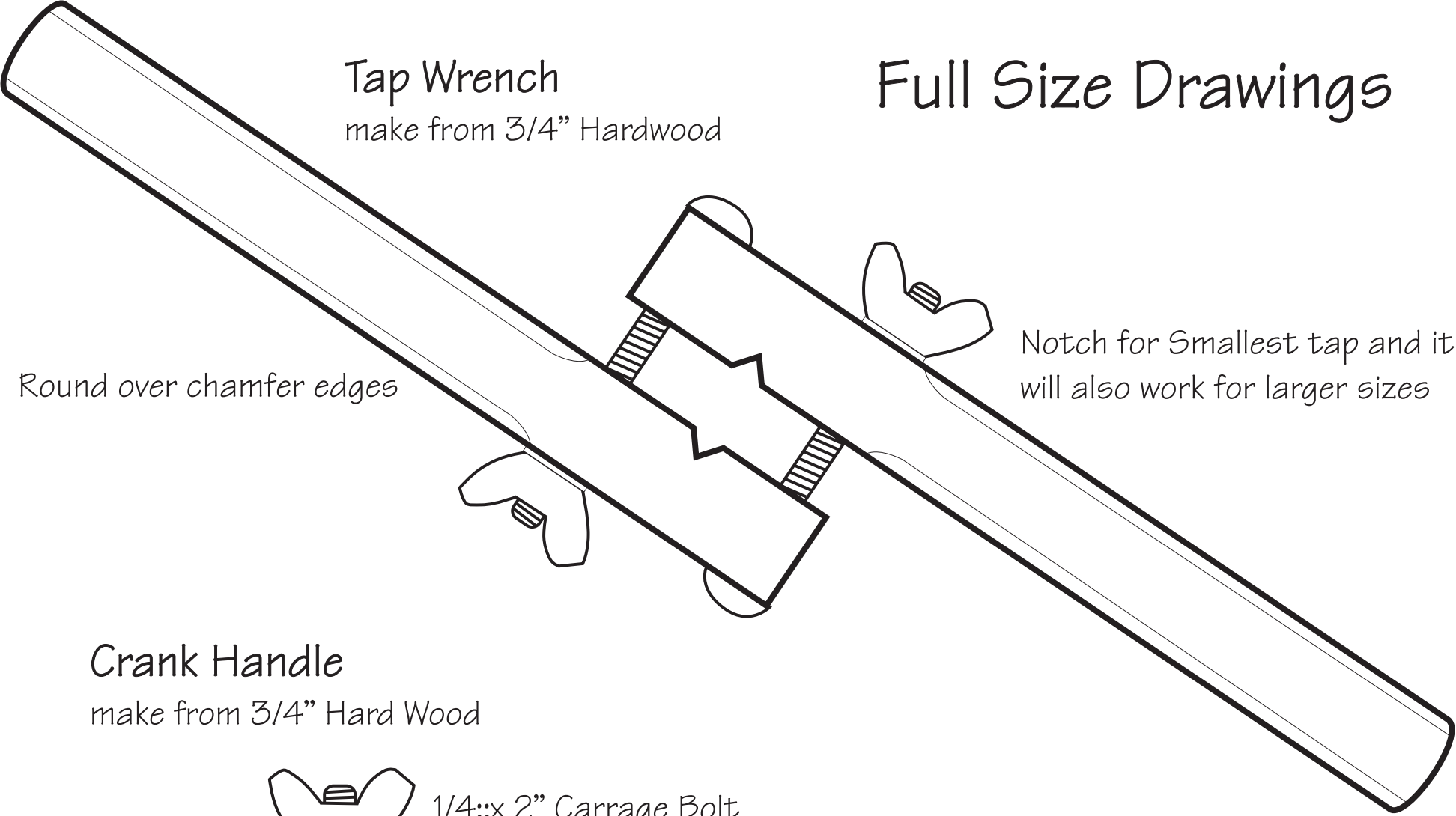


Full Size Drawings

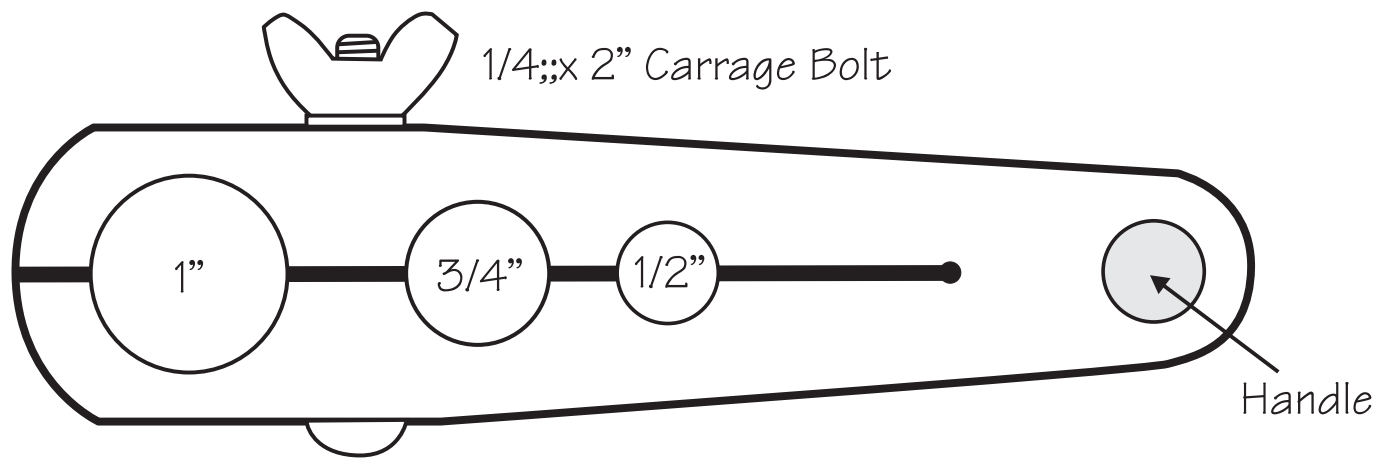
Tap Wrench
make from 3/4" Hardwood



Round over chamfer edges

Notch for Smallest tap and it will also work for larger sizes

Crank Handle
make from 3/4" Hard Wood



1/4";x 2" Carrage Bolt

Handle